



## ATEX-L4 Lever Hoist

The William Hackett ATEX-L4 lever hoist complies with the requirements of ATEX Directive 2014 / 34 / EU and Machinery Directive 2006 / 42 / EC

The ATEX-L4 lever hoist meets and exceeds the requirements of the following international standards:

British Standard BS EN13157:2004 + A1:2009

American Standard ASME B30.16-2012

Australian Standard AS1418.2-1997

South African Standard SANS 1594:2007

NORSOK R-002: 2017.

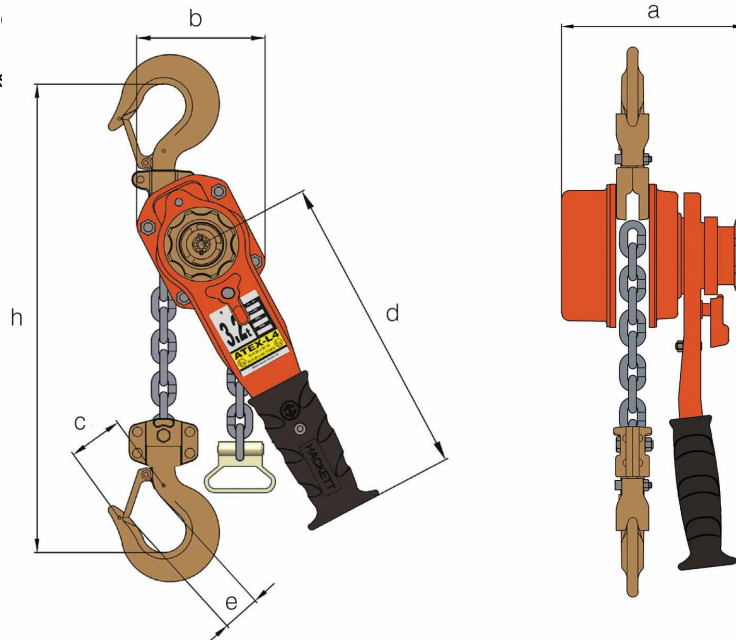
The William Hackett ATEX-L4 lever hoist is manufactured in accordance with EN13157 which requires that it can be used within an operating temperature range of -40°C to +55°C.

The design and specification of the William Hackett ATEX-L4 lever hoist includes:

- **CORROSION PROTECTED** specific internal components corrosion protected
- **COPPER PLATED** parts include top and bottom hook assemblies, loadchain guides, grip rings and chain stripper
- **LOADCHAIN:** supplied with EN818-7 zinc plated loadchain as standard with an option for stainless steel Grade 6 loadchain upon request
- **OVERLOAD INDICATOR MARKS:** the ATEX-L4 lever hoist top and bottom hooks have, as part of the hook forging, overload indicator marks either side of the hook throat. By measuring the distance between the indicator marks, the hook can be quickly and easily checked to see if any stretch has occurred due to misuse or overloading
- **BODY COVER:** epoxy powder coated
- **WLL RANGE:** 800 kg to 3.2 tonne
- **HOOK HOUSING:** the ATEX-L4 lever hoist top and bottom hook housings are secured with socket head cap screws/hex head bolts and nyloc locking nuts
- **TWIN PAWL:** double safety; fitted as standard
- **FLEETING/CROSS HAULING:** the ATEX-L4 lever hoist is tested and certified for fleeting or cross hauling applications up to 45° from the vertical without d



Other sizes available upon request:



## Specifications

Part Code	WLL tonnes	No. of Falls	Load Chain mm	Standard Lift m	a mm	b mm	c mm	d mm	e mm	h mm	Mass kg	Extra Weight per M kg
033.ATEX.075	0.80	1	5.6 x 17	1.5	148.0	121	40.0	265	28.0	280	6.20	0.70
033.ATEX.150	1.60	1	7.1 x 21	1.5	165.5	141	47.0	415	33.0	350	9.60	1.10
033.ATEX.300	3.20	1	10 x 30	1.5	194.5	178	62.5	415	42.5	420	15.50	2.20
033.ATEX.630	6.30	2	10 x 30	1.5	194.5	228	78.0	415	51.0	570	27.00	4.40
033.ATEX.1000	10.00	3	10 x 30	1.5	194.5	310	-	415	56.0	680	38.30	6.60

### Ex II 2 GD c IIC T4 IIIC T135°C

II	2	GD	c	IIC	T4	IIIC	T135°C		
								<b>T135°C</b>	Dust Temperature Class: Maximum external surface temp
								<b>IIIC</b>	Groups of Dust: Protected for group IIIC which includes g
								<b>T4</b>	Gas Temperature Class: Maximum external surface temp
								<b>IIC</b>	Gas Explosion Group: Protected for group IIC which inclu IIB
								<b>c</b>	Protection type: Design safety
								<b>GD</b>	Ex Atmosphere: Gas and Dust
								<b>2</b>	Category: High Safety
								<b>II</b>	Equipment Group: surface industries

