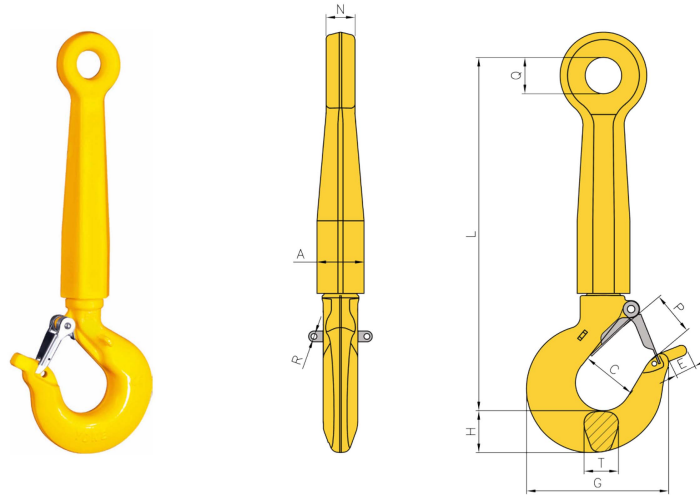




ROV Shank Hook

- YOKE ROV hooks are designed specifically for ROV application.
- YOKE ROV hooks are manufactured with the highest quality steel available.
- YOKE ROV hooks are individually stamped with the safe working load.
- Shank Hooks are painted yellow for superior visibility.
- Minimum Ultimate Load is 4
- Maximum Proof Load is 2 tir



SPECIFICATIONS

Part Code	WLL tonnes*	A mm	C mm	E mm	G mm	H mm	L mm	N mm	P mm	Q mm	R mm	T mm	Mass Kg
8-931-05	5.4	55	38	20	130	37	404	28	32	32	8	33	6.0
8-931-08	8.0	55	49	20	166	46	427	28	39	32	8	42	7.6
8-931-11	11.5	65	62	30	196	58	569	40	57	50	8	48	13.9
8-931-16	16.0	65	65	30	221	66	586	40	62	50	8	56	15.9
8-931-22	22.0	85	71	50	277	77	685	52	81	65	10	68	31.0
8-931-32	31.5	85	87	50	353	92	728	52	88	65	10	76	44.6

Part Code	WLL tonnes*	A inch	C inch	E inch	G inch	H inch	L inch	N inch	P inch	Q inch	R inch	T inch	Mass lbs.
8-931-05	5.4	2.16	1.53	0.78	5.12	1.46	15.90	1.10	1.26	1.25	0.31	1.31	13.2
8-931-08	8.0	2.16	1.94	0.78	6.54	1.82	16.81	1.10	1.54	1.25	0.31	1.66	16.7
8-931-11	11.5	2.56	2.46	1.18	7.72	2.28	22.40	1.57	2.24	1.96	0.31	1.88	30.6
8-931-16	16.0	2.56	2.59	1.18	8.70	2.60	23.07	1.57	2.44	1.96	0.31	2.19	35.0
8-931-22	22.0	3.35	2.81	1.96	10.91	3.01	26.96	2.04	3.19	2.55	0.39	2.69	68.2
8-931-32	31.5	3.35	3.44	1.96	13.90	3.62	28.66	2.04	3.46	2.55	0.39	3.00	98.1