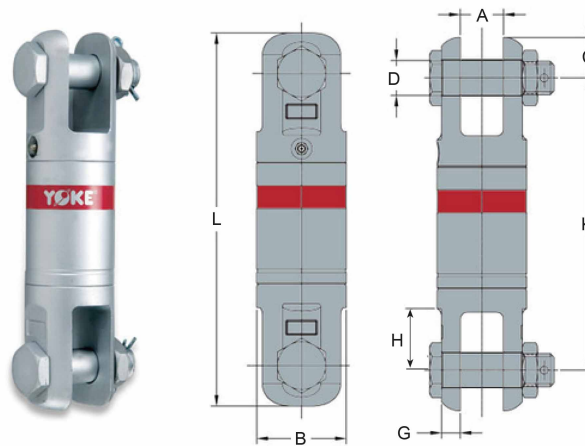




Yoke Jaw + Jaw Angular Swivel

- Yoke Angular Swivels are manufactured using the highest grade of material available.
- They are zinc plated for corrosion resistance and longer life. Angular Swivels are designed for low starting torque and high rotation speed, they are manufactured with grease fittings for superior performance.
- All Angular Swivels are 100% magnaflux crack detected. Designed with a safety factor 5:1



SPECIFICATIONS - Metric

Part Code	Wire Line Size mm	WLL tonnes	A mm	B mm	C mm	D mm	G mm	H mm	K mm	L mm	Mass kg
8-303-0075	6	0.75	15	32	13	10	6	22	103	128	0.5
8-303-015	10	1.5	18	40	20	13	8	26	112	152	0.9
8-303-03	13	3.0	23	51	25	19	10	32	158	208	2.3
8-303-05	16	5.0	32	64	31	22	14	37	200	261	4.4
8-303-085	19	8.5	40	76	34	30	14	54	252	320	7.6
8-303-10	22	10.0	42	102	48	38	25	54	316	412	19.5
8-303-15	25	15.0	48	108	52	38	25	57	316	420	21.7
8-303-25	32	25.0	62	132	65	51	30	70	374	503	39.5

SPECIFICATIONS - Imperial

Part Code	Wire Line Size inch	WLL tonnes	A inch	B inch	C inch	D inch	G inch	H inch	K inch	L inch	Mass lbs.
8-303-0075	1/4	0.75	0.60	1.30	0.50	0.40	0.20	0.90	4.10	5.00	1.1
8-303-015	3/8	1.5	0.70	1.60	0.80	0.50	0.30	1.00	4.40	6.00	2.0
8-303-03	1/2	3.0	0.90	2.00	1.00	0.80	0.40	1.30	6.20	8.20	5.1
8-303-05	5/8	5.0	1.30	2.50	1.20	0.90	0.60	1.50	8.00	10.30	9.7
8-303-085	3/4	8.5	1.60	3.00	1.30	1.20	0.60	2.10	10.00	12.60	16.8
8-303-10	7/8	10.0	1.70	4.00	1.90	1.50	1.00	2.10	12.40	16.20	43.0
8-303-15	1	15.0	1.90	4.30	2.00	1.50	1.00	2.20	12.40	16.50	47.8

8-303-25	1-1/4	25.0	2.40	5.20	2.60	2.00	1.20	2.80	14.70	20.00	87.0
----------	-------	------	------	------	------	------	------	------	-------	-------	------