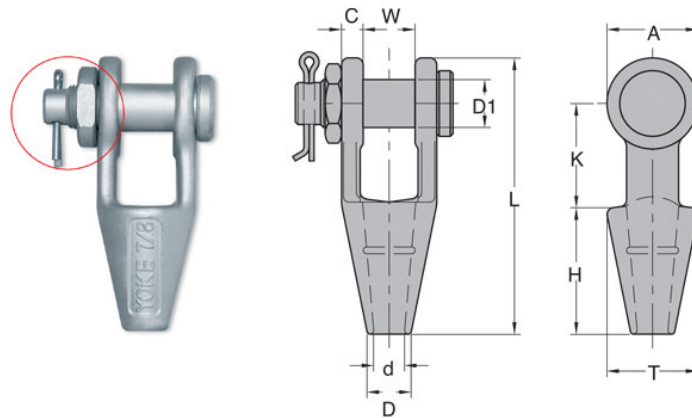




## Forged Open Spelter Wire Rope Socket

- YOKE Spelter Sockets are forged from special bar quality carbon steel with the finest hardness control and when properly applied have an efficiency rating of 100% based on the catalogue strength of wire rope.
- Socket size 1/4" through 3/4" use one groove, 7/8" through 1-1/2" use 2 grooves.
- Open Spelter Sockets meet the performance requirements of Federal Specification RR-S-550D. Type A.



## Specifications

Part Code	Rope Dia. mm	Structural Strand Dia. mm	A mm	C mm	D mm	D1 mm	d mm	H mm	K mm	L mm	T mm	W mm	Mass kg
8-733-G06	6-7	—	33	9	18	17	11	57	40	115	39	23	0.7
8-733-G10	8-10	—	38	11	21	20	13	57	45	123	44	21	0.9
8-733-G13	11-13	—	48	13	25	25	15	63	54	142	50	25	1.6
8-733-G16	14-16	13	58	14	29	30	18	76	64	172	57	32	2.2
8-733-G19	18-20	14-16	67	16	32	35	22	92	76	202	67	38	3.4
8-733-G22	22-23	18-20	80	20	38	41	24	102	89	235	85	45	5.4
8-733-G26	24-26	22-23	96	23	44	51	29	114	102	268	95	52	8.5
8-733-G28	28-30	24-25	105	25	51	56	32	127	117	300	105	57	11.6
8-733-G36	32-35	26-28	121	29	57	62	38	140	127	335	120	64	16.0
8-733-G38	36-39	30-32	137	30	70	70	41	152	152	384	133	76	24.0

## Specifications

Part Code	Rope Dia. inch	Structural Strand Dia. inch	A inch	C inch	D inch	D1 inch	d inch	H inch	K inch	L inch	T inch	W inch	Mass lbs.
8-733-G06	1/4	—	1.31	0.35	0.71	0.67	0.43	2.25	1.56	4.65	1.54	0.91	1.5
8-733-G10	5/16 - 3/8	—	1.50	0.44	0.83	0.79	0.51	2.25	1.77	4.84	1.73	0.83	2.0
8-733-G13	7/16 - 1/2	—	1.91	0.50	0.98	0.98	0.56	2.48	2.13	5.62	1.96	1.00	3.5
8-733-G16	9/16 - 5/8	1/2	2.28	0.55	1.14	1.19	0.70	2.99	2.52	6.77	2.25	1.26	4.9
8-733-G19	3/4	9/16 - 5/8	2.64	0.62	1.26	1.38	0.81	3.62	3.00	7.96	2.64	1.50	7.5
8-733-G22	7/8	11/16 - 3/4	3.17	0.80	1.50	1.63	0.94	4.02	3.50	9.25	3.35	1.77	11.9
8-733-G26	1	13/16 - 7/8	3.78	0.91	1.75	2.00	1.14	4.48	4.02	10.55	3.75	2.05	18.7
8-733-G28	1-1/8	15/16 - 1	4.12	1.00	2.00	2.25	1.26	5.00	4.62	11.81	4.12	2.25	25.6

