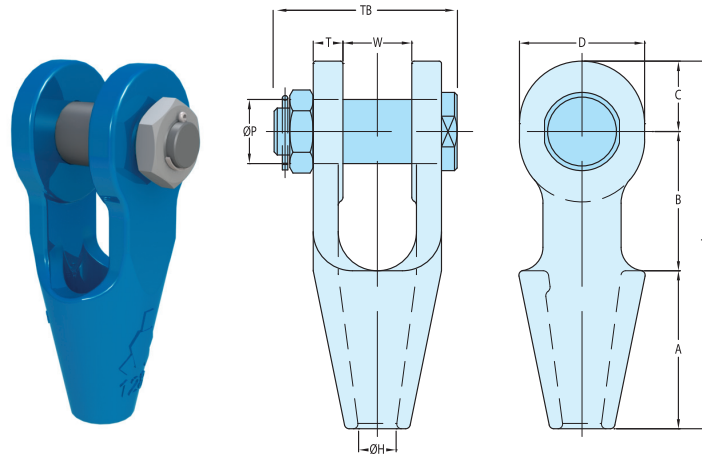


Open Spelter Sockets with bolt and nut

Quenched and tempered cast steel



Model nr.	MBL (Mtons)	for wire Ø		Strand Ø		Dimensions (mm)										Weight (kg)
		mm	inch	mm	inch	A	B	C	D	ØH	ØP	T	TL	TB	W	
OSS 196 B	8	6-7	1/4	-	-	50	40	19	34	9	16	9	109	62	19	0,5
OSS 197 B	12	8-10	3/8	-	-	57	45	22	42	13	20	11	124	75	21	0,8
OSS 198 B	20	11-13	7/16 - 1/2	-	-	64	51	27	50	15	25	12	142	80	25	1,1
OSS 199 B	25	14-16	9/16 - 5/8	13	1/2	76	63	32	58	18	30	14	171	96	32	1,9
OSS 100 B	40	18-19	3/4	14-16	9/16 - 5/8	89	76	40	70	22	35	16	205	107	38	3,1
OSS 104 B	55	20-22	7/8	18-19	3/4	101	89	45	80	25	41	19	235	123	44	4,7
OSS 108 B	75	23-26	1	20-22	7/8	114	101	60	104	29	51	22	275	138	51	8
OSS 111 B	90	27-30	1 1/8	23-26	1	127	114	65	114	33	57	25	306	160	57	12
OSS 115 B	125	31-36	1 1/4 - 1 3/8	27-28	1 1/16 - 1 1/8	139	127	72	126	39	63	28	338	165	63	16
OSS 118 B	150	37-39	1 1/2	30-32	1 3/16 - 1 1/4	152	162	80	142	42	70	30	394	199	76	23
OSS 120 B	170	40-42	1 5/8	33-35	1 5/16 - 1 3/8	165	165	88	156	45	76	33	418	209	76	28
OSS 125 B	225	43-48	1 3/4 - 1 7/8	36-40	1 7/16 - 1 5/8	191	178	100	176	52	89	39	469	237	89	43
OSS 128 B	280	49-54	2 - 2 1/8	42-45	1 5/8 - 1 3/4	216	228	108	194	59	95	45	552	263	101	62
OSS 130 B	360	55-60	2 1/4 - 2 3/8	46-48	1 13/16 - 1 7/8	229	254	120	210	64	108	53	603	298	113	90
OSS 132 B	425	61-68	2 1/2 - 2 5/8	50-54	2 - 2 1/8	248	273	133	236	75	121	60	654	330	127	123
OSS 135 B	460	69-75	2 3/4 - 2 7/8	56-62	2 1/4 - 2 1/2	279	279	138	240	81	127	73	696	359	133	159
OSS 138 B	560	76-80	3 - 3 1/8	64-67	2 1/2 - 2 5/8	305	286	146	252	88	133	76	737	380	146	190
OSS 140 B	625	81-86	3 1/4 - 3 3/8	69-76	2 3/4 - 3	330	298	160	290	92	140	79	788	397	159	230
OSS 142 B	720	87-93	3 1/2 - 3 5/8	78-86	3 1/16 - 3 3/8	356	318	178	320	99	152	83	852	419	171	287
OSS 144 B	875	94-102	3 3/4 - 4	88-96	3 7/16 - 3 3/4	381	343	190	350	108	178	89	914	451	191	377
OSS 146 B	1200	108-115	4 1/4 - 4 1/2	98-110	3 7/8 - 4 5/16	450	480	215	400	129	195	100	1145	506	205	548
OSS 150 B	1400	120-130	4 3/4 - 5	112-124	4 7/16 - 4 7/8	500	500	250	450	147	220	110	1250	546	225	766
OSS 155 B	1600	135-140	5 1/4 - 5 1/2	125-132	4 15/16 - 5 3/16	540	497	263	480	157	240	140	1300	623	230	1081
OSS 160 B	2000	142-153	5 3/4 - 6	133-143	5 1/4 - 5 5/8	585	505	275	500	171	255	140	1365	655	250	1200
OSS 165 B	2220	154-165	6 1/4 - 6 1/2	144-154	5 11/16 - 6 1/4	630	530	300	550	185	275	150	1460	685	260	1474
OSS 170 B	2500	166-178	6 3/4 - 7	155-166	6 1/4 - 6 3/4	680	570	310	570	199	295	150	1560	715	280	1655
OSS 175 B	2800	180-191	7 1/4 - 7 1/2	167-179	6 9/16 - 7 1/16	725	600	325	600	213	310	155	1650	750	300	1956
OSS 180 B	3200	192-204	7 3/4 - 8	180-191	7 1/4 - 7 1/2	775	620	345	640	229	330	160	1740	790	320	2303

MBL = Minimum Breaking Load

The standard finish of our sockets is blue. Hot dipped galvanized is also available. Socket range OSS 196 until OSS 100 is delivered with galvanized finish, other finishes are available upon request. All sockets are provided with an EN 10204-2.1 declaration of conformity, EN 10204-3.1 material certificate and can be provided with a 2006/42/EC declaration where applicable. Dimensional tolerances depend on the manufacturing techniques applied and are different between machined components (pins) and cast components (socket bodies and wedges). Also surface finish e.g. hot dip galvanizing or even paint may add to the overall thickness and fork distance. Please contact Ropeblock for further guidance and a detailed dimensional tolerance sheet.